



EOS-96-JB-NONDIM-24V

96W CONSTANT VOLTAGE NON-DIMMABLE
LED DRIVER

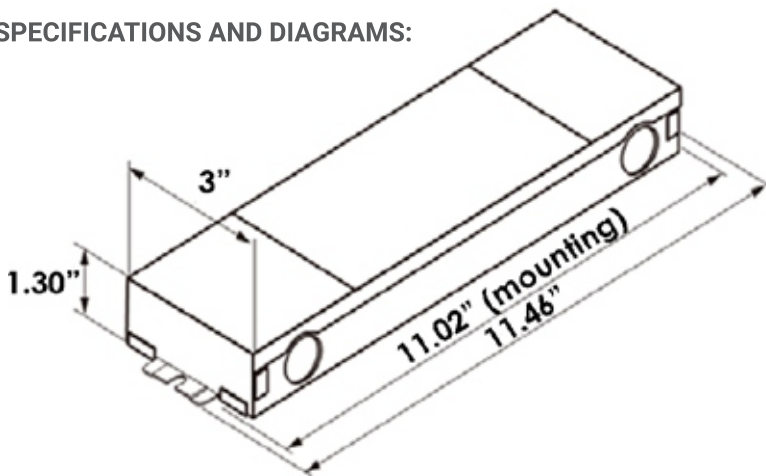
DRIVER SPECIFICATIONS:



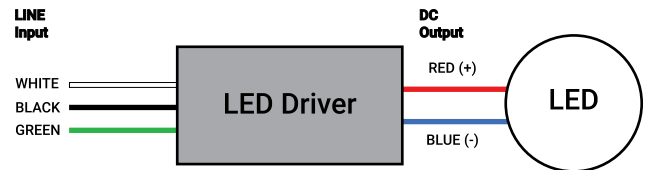
FEATURES :

- Constant Voltage LED Driver
- Total Power: 96W
- Input Voltage: 120-277 Vac ± 10%
- Selectable Outputs: One
- UL8750
- IP20: Designed for dry and damp locations
- Optional 0-10V Adaptor Available
- 5 years warranty

SPECIFICATIONS AND DIAGRAMS:



WIRING DIAGRAM



PRODUCT SPECIFICATIONS:

- Max output power: 96W
- Output Current: 0-4A
- Output Voltage: 24V
- Efficiency: 86%
- Remote mounting distance (#18AWG): 9ft.
- Class 2

WIRE SPECIFICATIONS

- **Input:** 12", UL 1316 #18AWG (White, Black and Green)
- **Output:** 12", UL1316/1430 #18AWG (Red and Blue)

ELECTRICAL SPECIFICATIONS

INPUT VOLTAGE RANGE	120~277Vac ± 10%
FREQUENCY	50/60Hz
POWER FACTOR	>0.9 @full load
INRUSH CURRENT	20A @230V
MAX. INPUT CURRENT	0.94A @120V
THD	<20%
PROTECTION	Over Temperature, Over Current, and Short Circuit
WITHSTAND VOLTAGE	I/P – O/P 2k Vac

ENVIRONMENTAL SPECIFICATIONS/ SAFETY AND EMC COMPLIANCE:

OPERATING TEMPERATURE	-30 to 60°C
STORAGE TEMPERATURE	-40 to 85°C
HUMIDITY	5% to 95%
MTBF	258,000 hours at 40°C ambient (~70°C Case temp)
MAX. CASE TEMPERATURE	90°C
UL/cUL	UL 8750 and UL879
FCC, 47CFR Part 15	Class B Consumer Limit
EN61000-3-2	