



Retail
Hospitality
Healthcare
Architectural Lighting
Signage
Casino Design
Residential

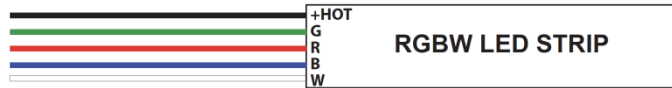
eoslight.com

Basic Programming Instructions for DMX Wiring Multiple Fulham/EldoLED LinearDRIVE RGBW devices together on a Chain

Step 1: Make sure the device(s) are wired properly per diagrams below:

RGBW

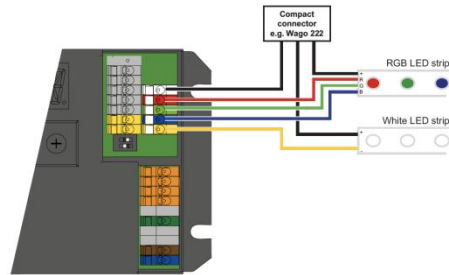
COLOR CODED WIRING



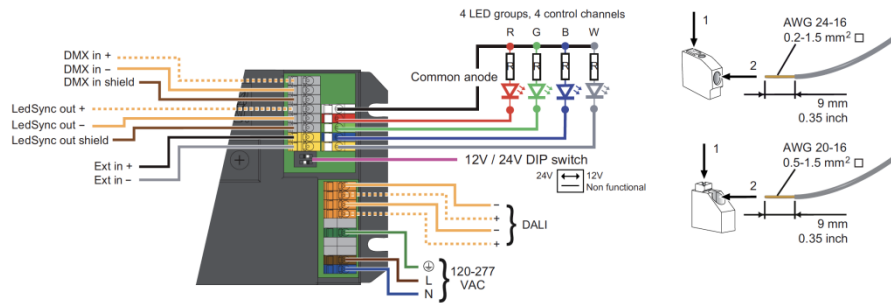
Connecting an RGB strip and a white LED strip

Maximum current per output at 12V: 2A
Maximum current per output at 24V: 1A

Configuration of the LED groups:
Press M and + simultaneously, in the LED menu choose RGBW and save by pressing M.



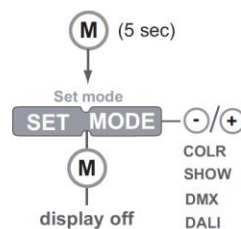
⚠ Pay attention when connecting the LED groups:
polarity reversal results in no light output and often damages LEDs.



Step 2: Set Driver(s) to DMX Mode

Press the M button for 5 seconds, until the display shows “Set Mode”, then press the + or – buttons until you find DMX. Then press the M button to store the setting and the display will turn off

1. Select mode of operation





Retail
Hospitality
Healthcare
Architectural Lighting
Signage
Casino Design
Residential

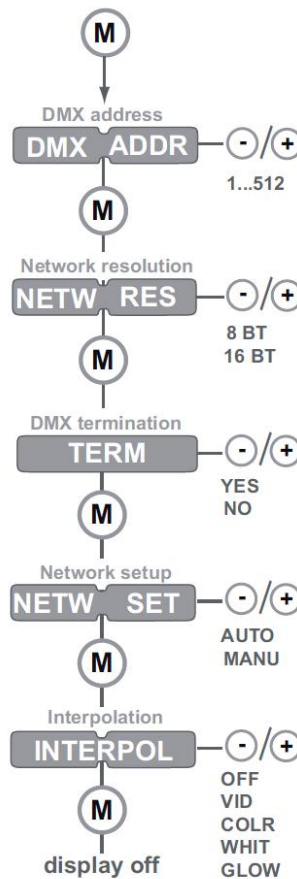
eoslight.com

Step 3: Set Driver to DMX Auto Addressing

In the next step, you are going to set the drivers to automatically set the DMX location based on where they are located in the chain of drivers.

Press the M button until you see “DMX ADDR”, then press M again all the way through to NETW SET. That is when you will press + or – to arrive on AUTO. When AUTO Appears on the screen, press M to save. And press M again when Interpol appears, and then your driver will be set when the display shuts off.

Networked operation - DMX or DALI -



Now the driver has been set to DMX and DMX Auto so it will automatically cycle down through the chain



Retail
Hospitality
Healthcare
Architectural Lighting
Signage
Casino Design
Residential

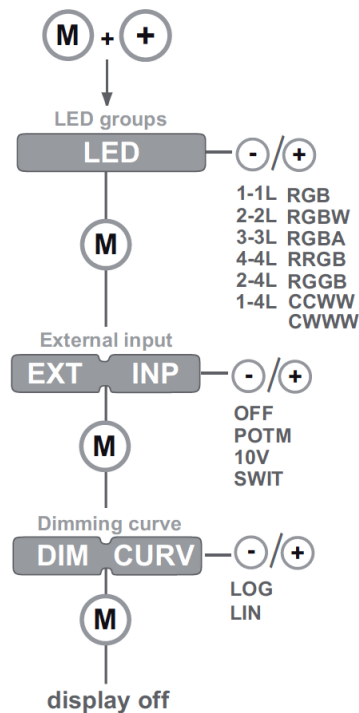
eoslight.com

Step 4: Set the driver to RGBW Channel Selection:

The driver has to be instructed what type of output/LEDs it is using so the channels are properly programmed.

Hold “M” and “+” together until the word “LED” appears on the display. Press the “+” or “-” button until the display shows RGBW, Press M again to save that setting, and then press M through the rest of the stages until the display turns off

2. Set LED groups



Step 5: Set termination point for last driver in Chain

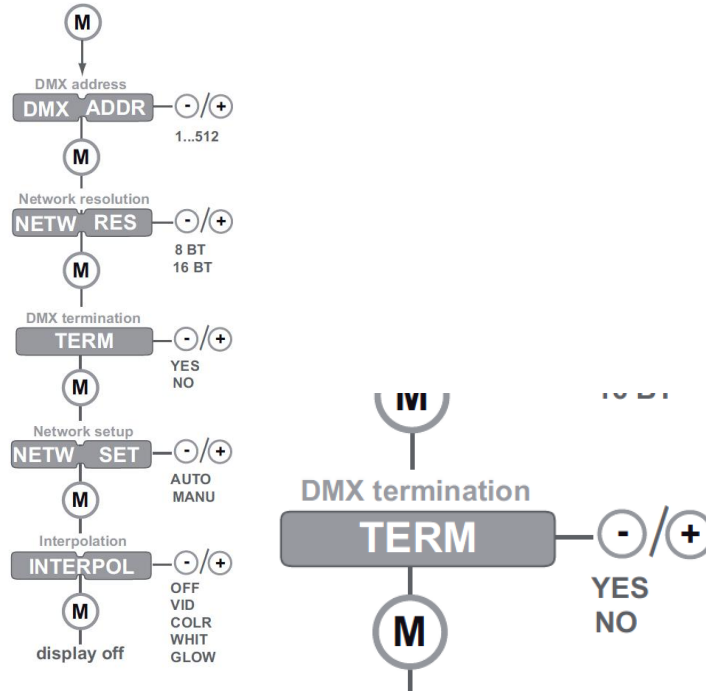
This is where we will instruct the drivers that the end of the chain has been reached. Just like Step 3 where programmed the driver for DMX Auto, you are going to press the M button until you see “DMX ADDR”, then press M again all the way through to “Term”. That is when you will press + or – to set “Yes” and then press “M” to save the setting. Then Press “M” again until the Display Shuts off.



Retail
Hospitality
Healthcare
Architectural Lighting
Signage
Casino Design
Residential

eoslight.com

Networked operation - DMX or DALI -



This should complete your programming, where the driver understands it is controlling a RGBW panel in a chain of DMX devices with an end point programmed into the sequence.

Step 6: Visual Test Run

Here is where you will test the Downstream Chain from DMX1 to DMX2 to DMX3, and onward to the termination point by using factory provided test method below.

By doing so, the panels will illuminate downstream in the color sequence specified below.

Typically, you want to start at DMX1, however, if you start at DMX2 or DMX3, only the downstream drivers will test and the drivers upstream will not begin a test sequence

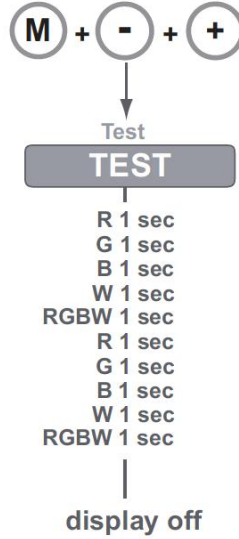
Press and hold the 3 buttons at once until the word "Test" appears and then release. The colors will then illuminate in the sequence seen on the next page:



Retail
Hospitality
Healthcare
Architectural Lighting
Signage
Casino Design
Residential

eoslight.com

Visual test run



Factory Default Reset

If in any situation the programming needs to be reset, please use the following method to restore factory default settings and then re-program devices beginning at Step 1

Reset to factory defaults

